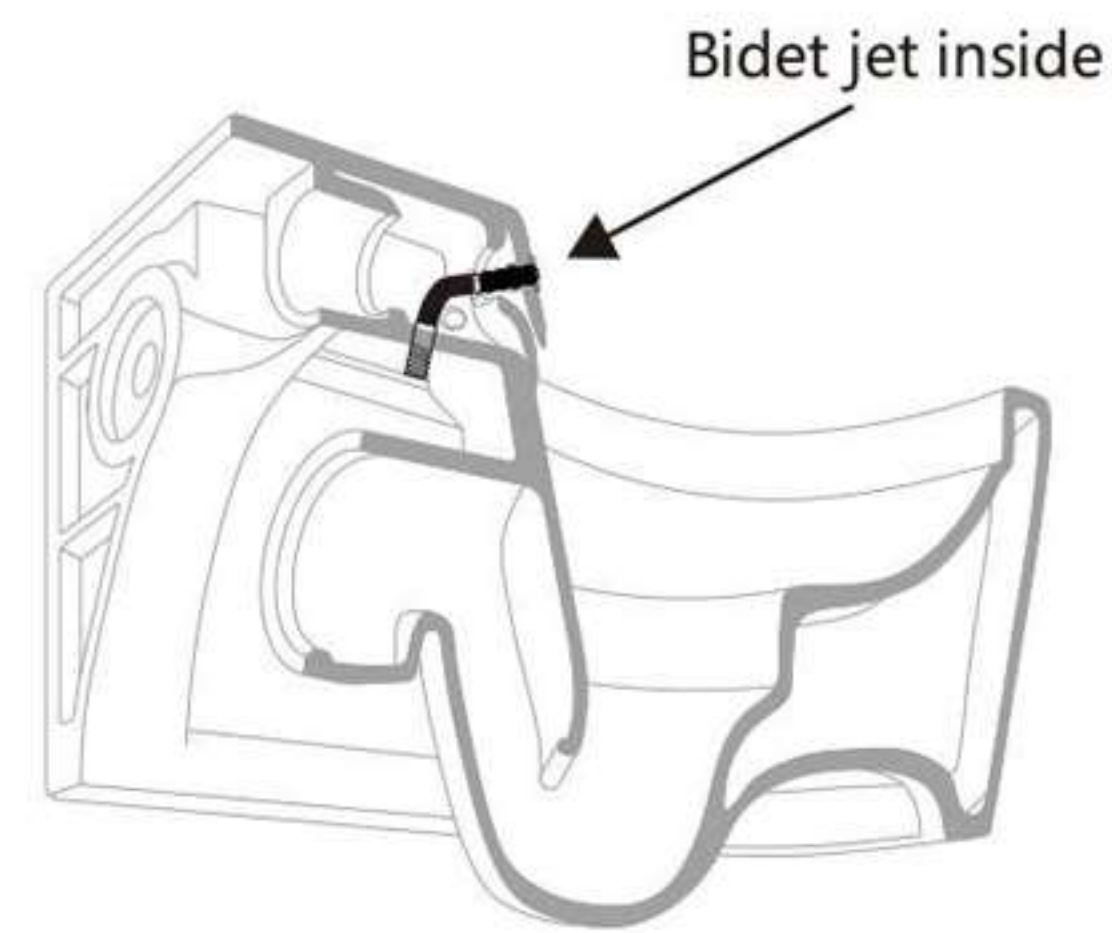
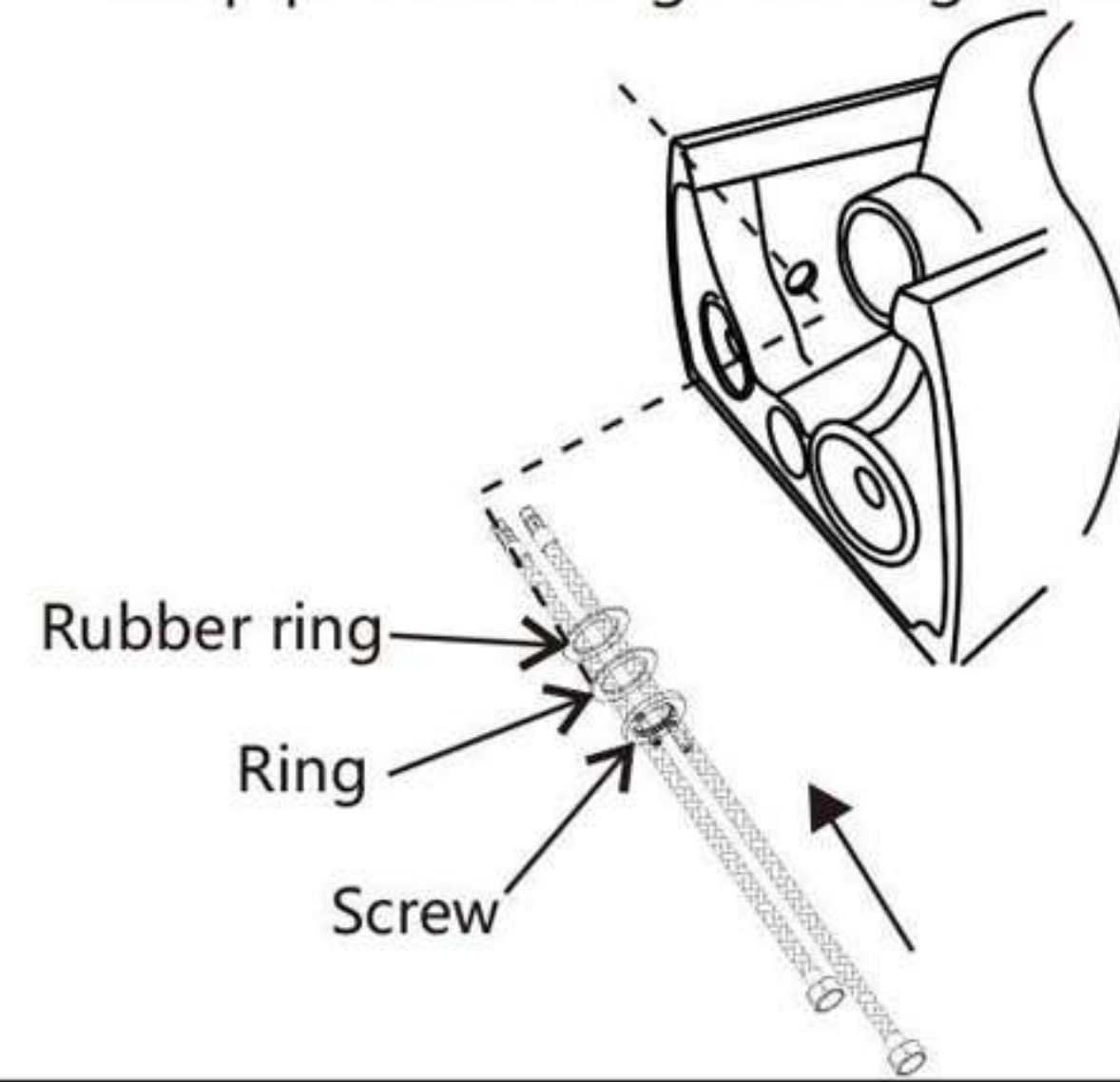


WALL HANG TOILET WITH BIDET INSTALLATION MANUAL

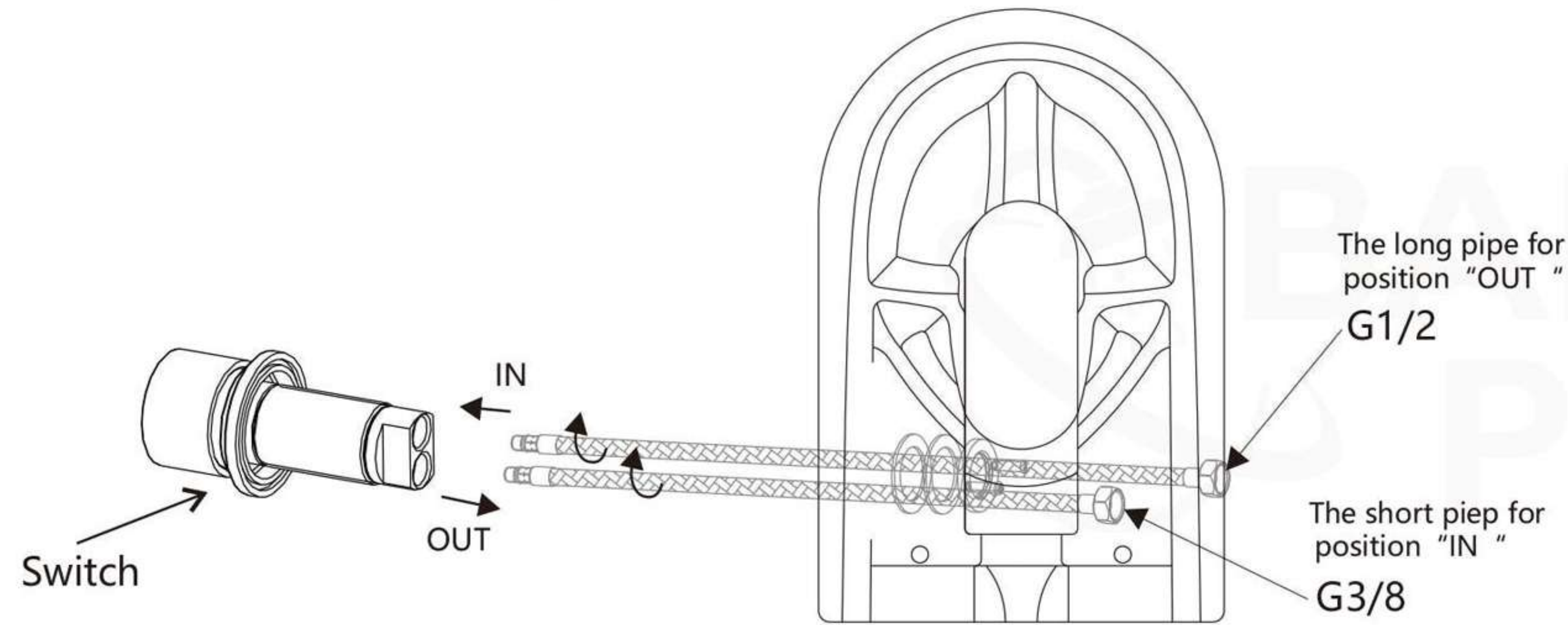
① The inside bidet jet which is finished;



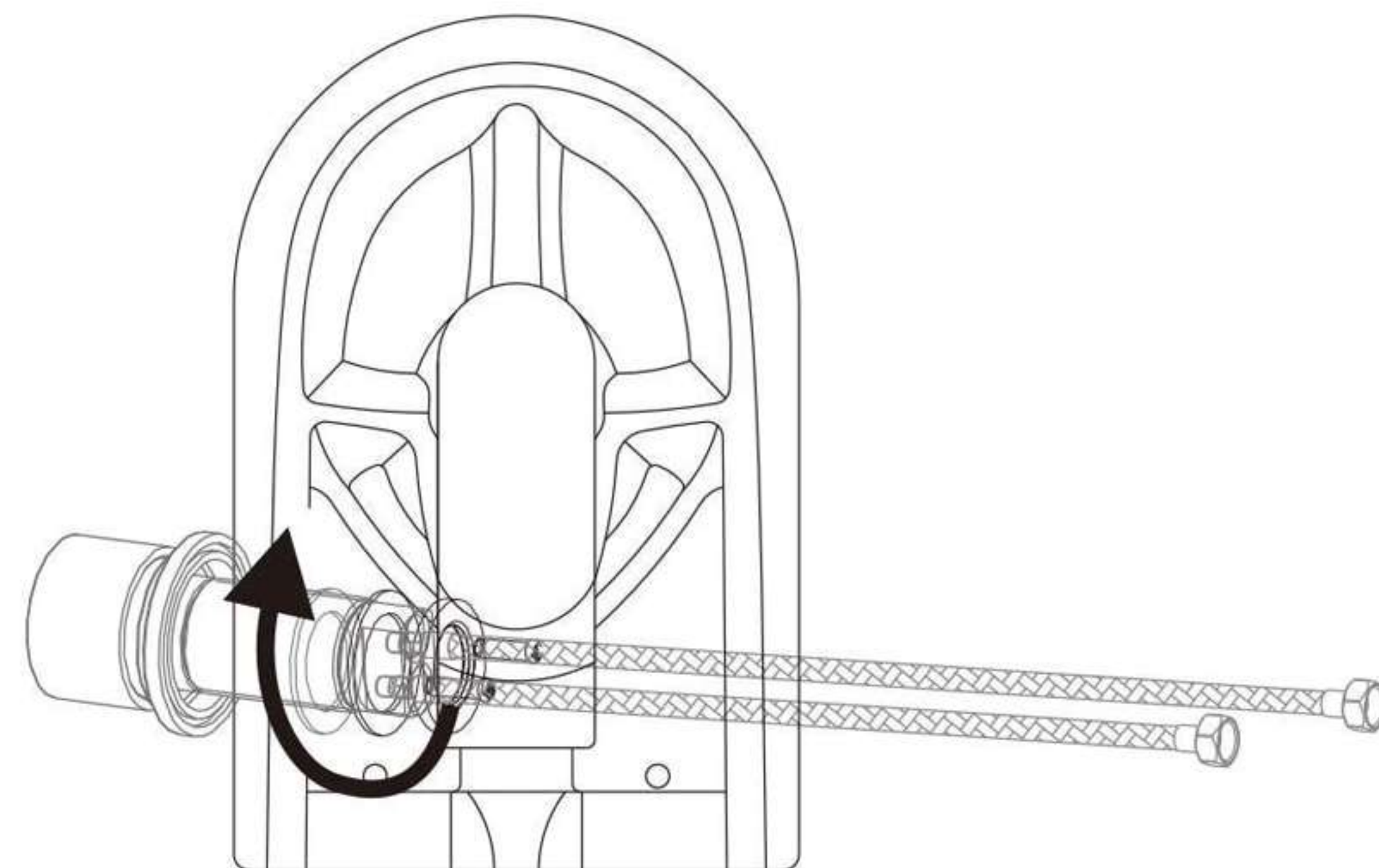
② Assemble according to the following picture, the two pipes should go through the hole of body;



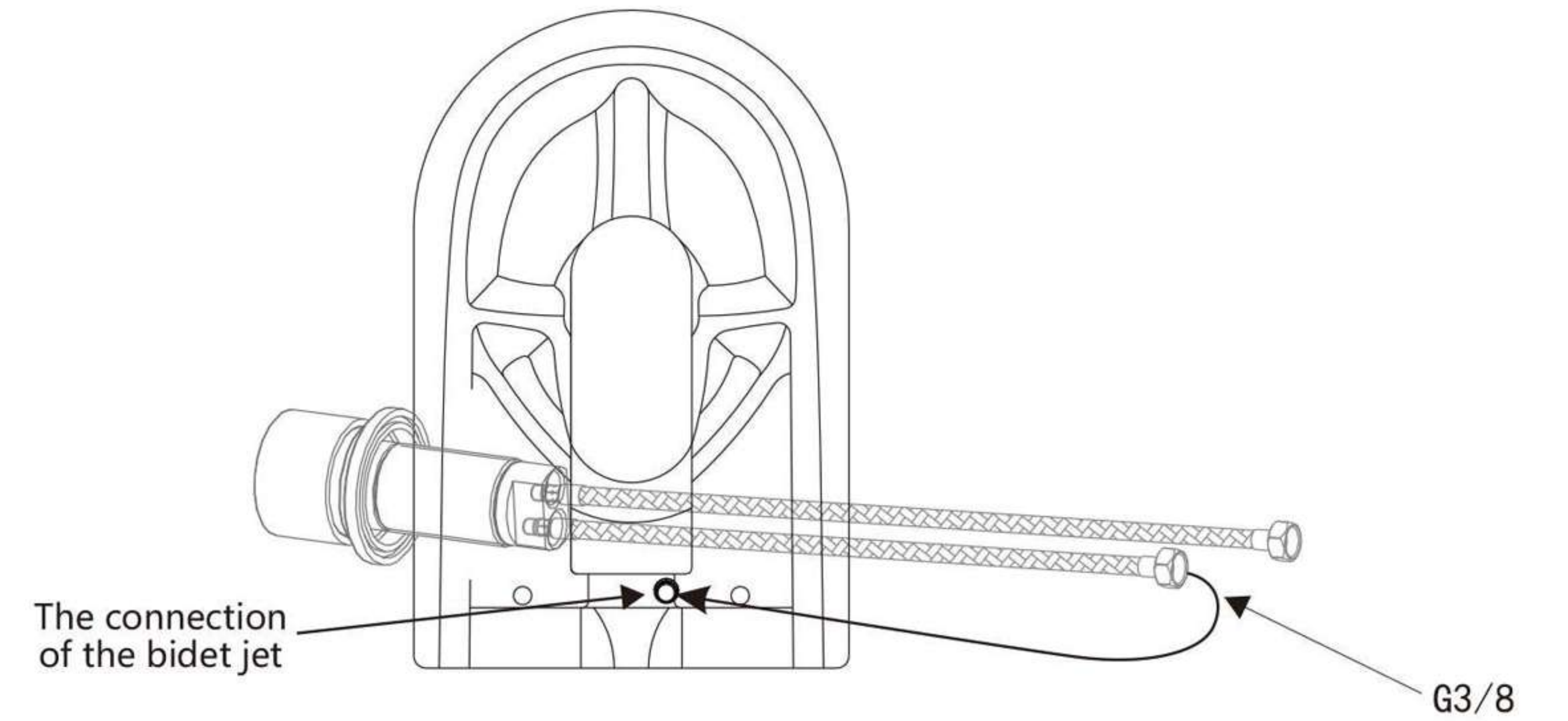
③ Screw the pipes into the correct holes. The long pipe(G1/2) is for the position "IN", the short pipe is for the position "OUT". Screw them tight and make sure that they are in the correct position;



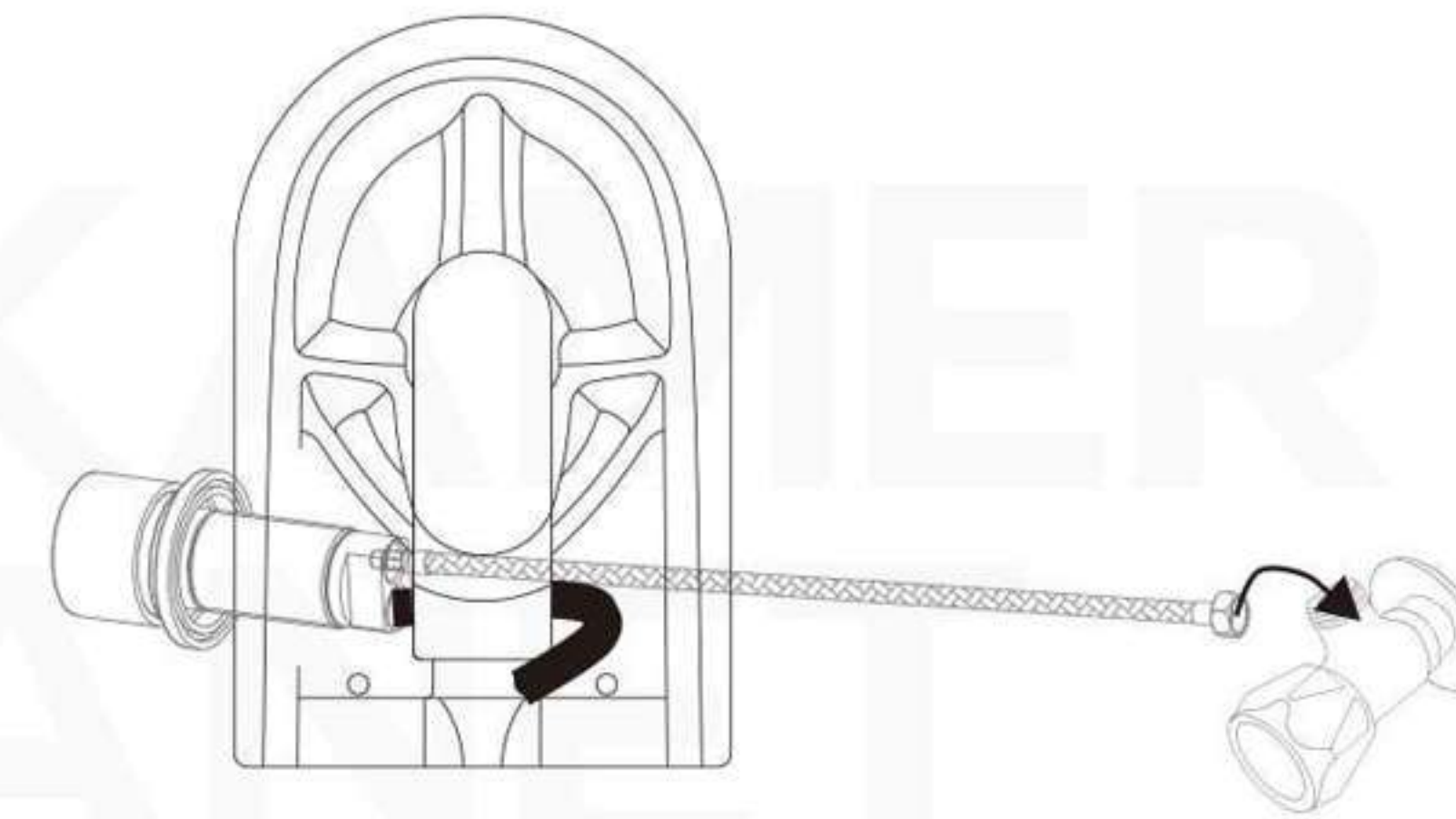
④ Tighten the screw, fixed the switch to the ceramic body;



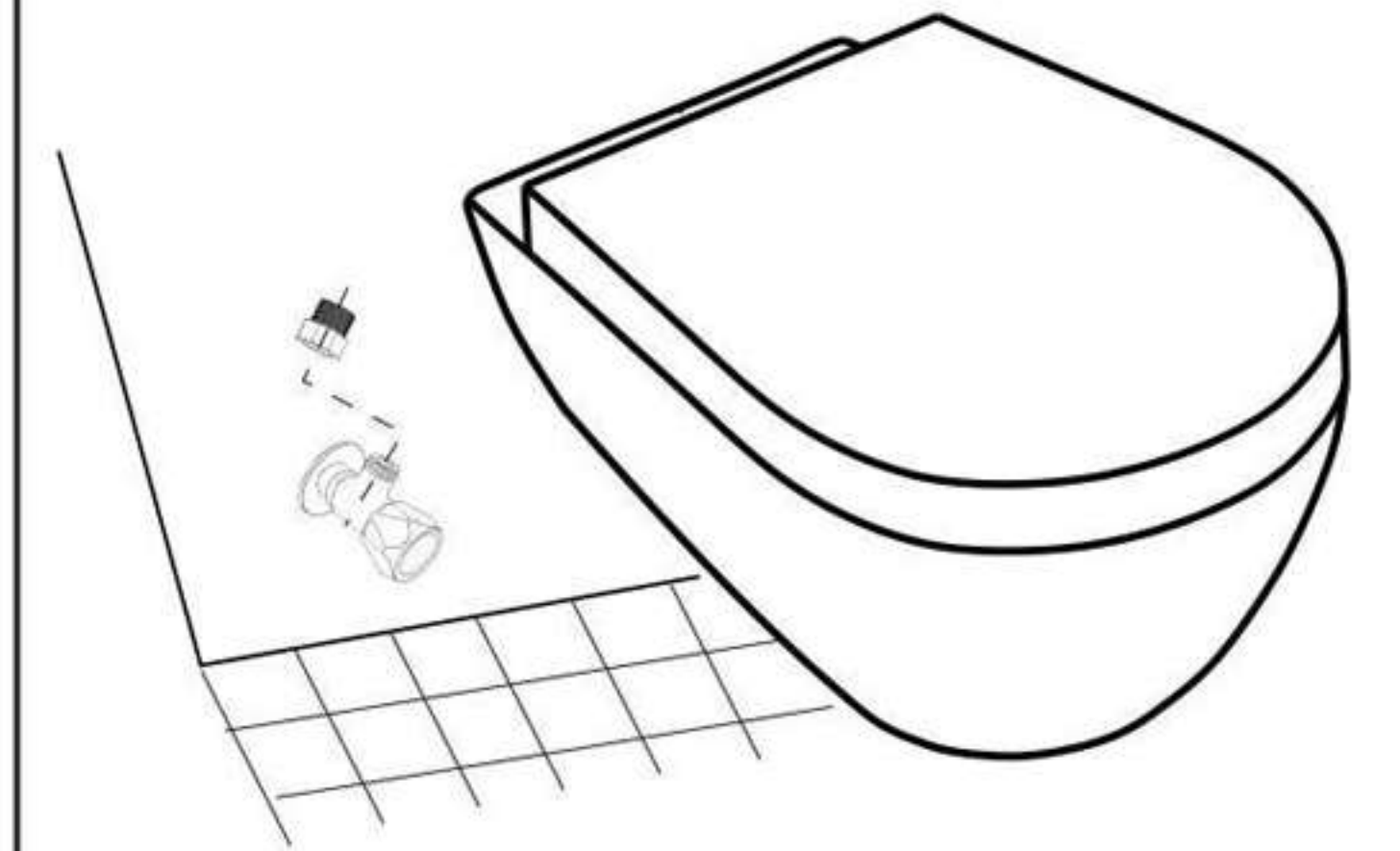
⑤ Connect the short pipe(G3/8) with the jet, then tighten it;



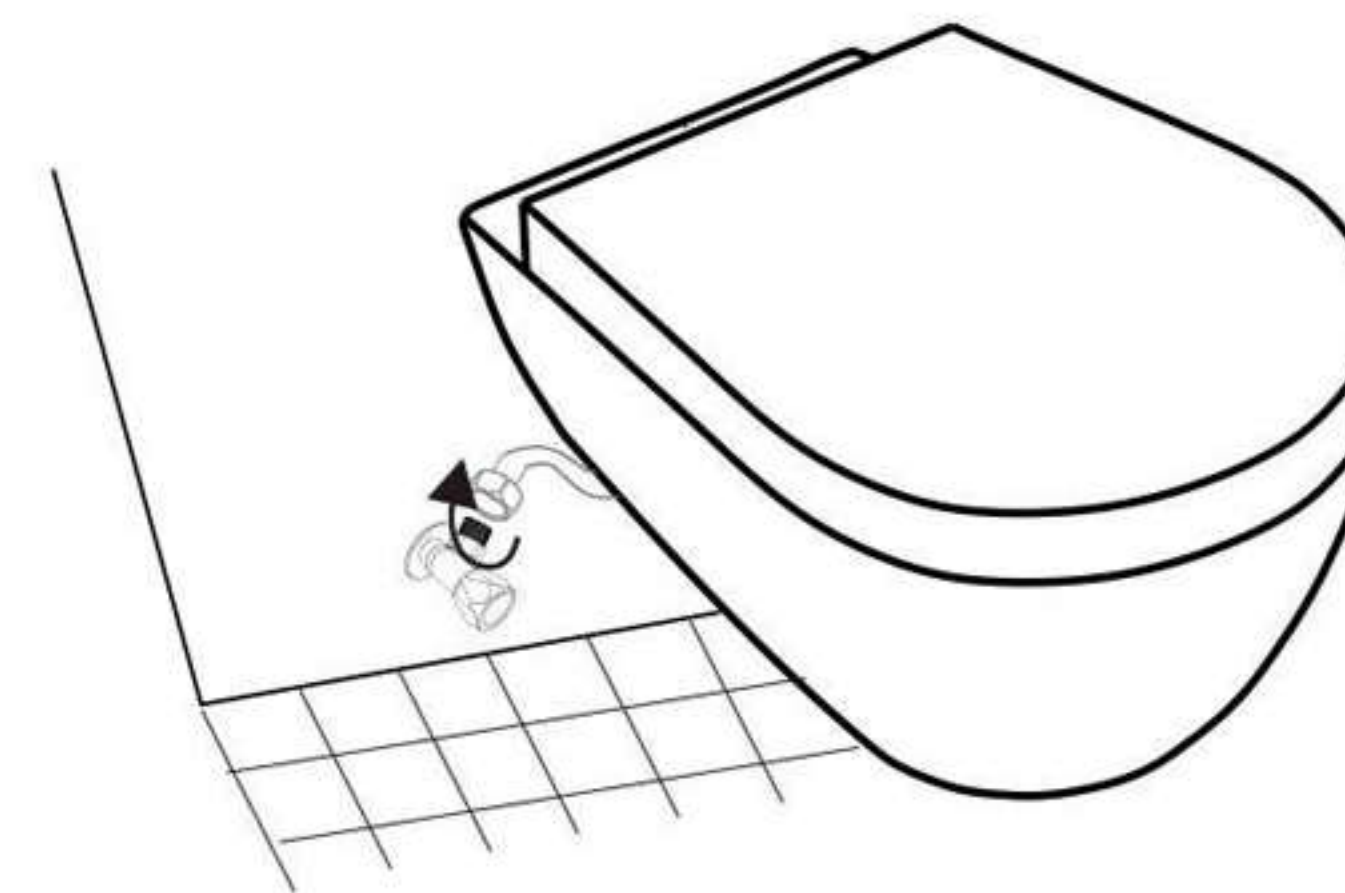
⑥ The long pipe(G1/2) connect the water supply. Turn on the switch and check the jets;



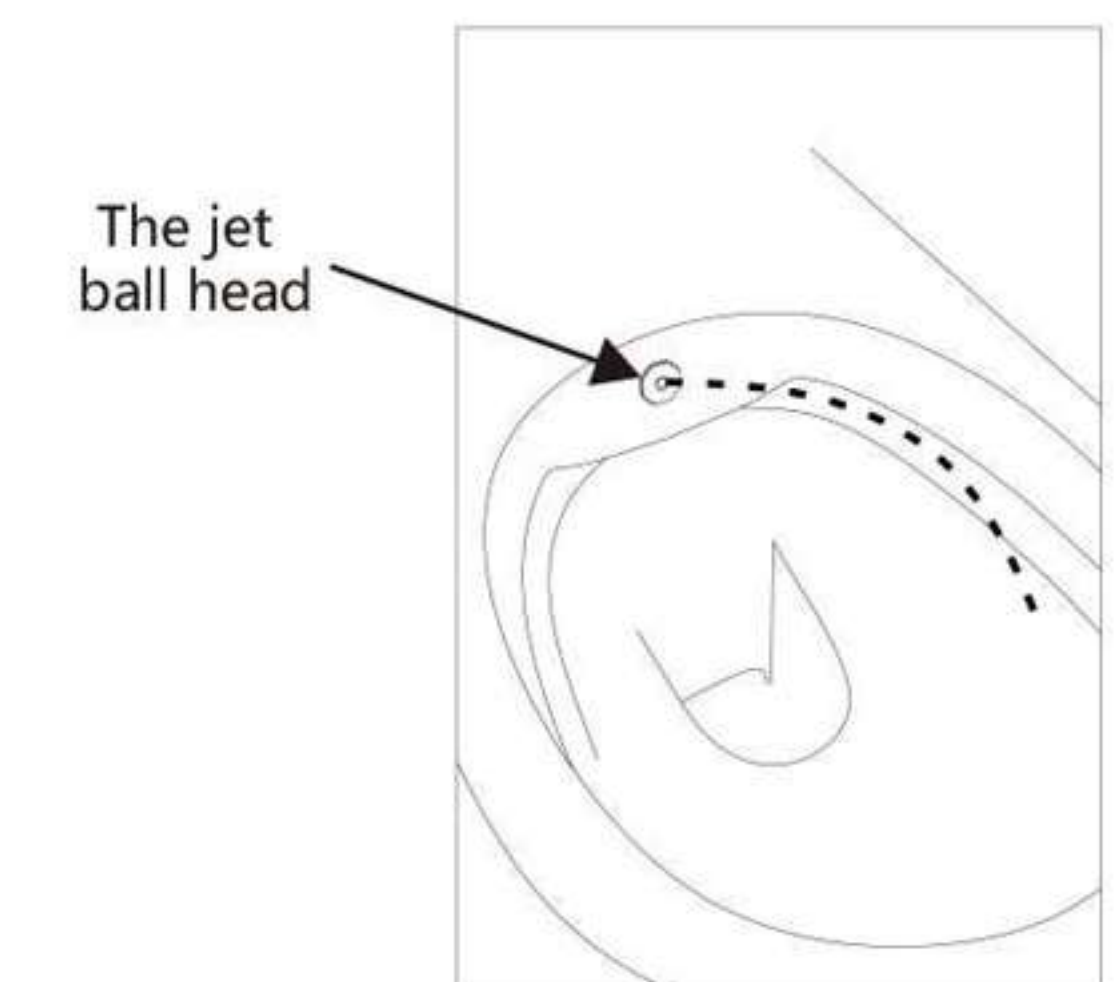
⑦ Install the ceramic body. The angle valve can add the one-way valve to avoid the reflux;



⑧ Connect the valve with the mesh pipe and then turn on the water;



⑨ Adjust the direction of the jet.



Attention:

1. 20°C-35°C neutral water should be used as suggestion.
2. 0.1 - 0.3MPA water pressure.
3. Do not use steel brush and knife or something sharp to clean the surface of the product.
4. Slowly open the switch of the bidet in case that the water pressure too high to spit out suddenly.
5. The pipes can not touch the ground in case of corrosion.